



File Name: csia technical manual.pdf
Size: 3370 KB
Type: PDF, ePub, eBook
Category: Book
Uploaded: 17 May 2019, 19:30 PM
Rating: 4.6/5 from 728 votes.

Status: AVAILABLE

Last checked: 16 Minutes ago!

In order to read or download csia technical manual ebook, you need to create a FREE account.

[**Download Now!**](#)

eBook includes PDF, ePub and Kindle version

- [Register a free 1 month Trial Account.](#)
- [Download as many books as you like \(Personal use\)](#)
- [Cancel the membership at any time if not satisfied.](#)
- [Join Over 80000 Happy Readers](#)

Book Descriptions:

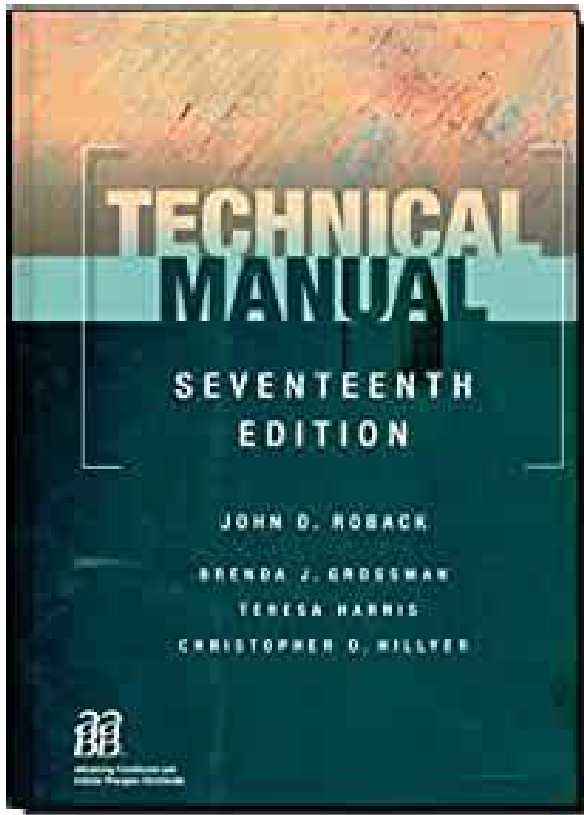
We have made it easy for you to find a PDF Ebooks without any digging. And by having access to our ebooks online or by storing it on your computer, you have convenient answers with csia technical manual . To get started finding csia technical manual , you are right to find our website which has a comprehensive collection of manuals listed.

Our library is the biggest of these that have literally hundreds of thousands of different products represented.



Book Descriptions:

csia technical manual



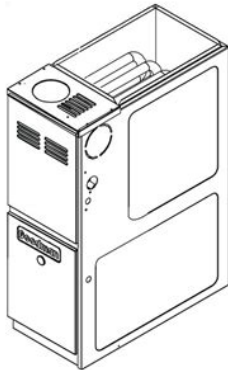
This will help familiarize you with the vocabulary of the course content. The Technical Reference pertains to all abilities, ages, terrain and equipment and is relevant to all turn shapes, speeds and levels of performance. You may end up sweating and once outside you will chill off quickly. Be prepared to get fully dressed just prior to going on the hill. Your course conductors will provide you with ample time. That way you do not have a moist pair on your feet. Use the socks you are removing or have a small towel to dry your feet before putting the new socks on. Dehydrating will cause you to lose body heat more rapidly than normal, causing discomfort faster. Cold weather taps energy more rapidly than in warm weather. If you are focusing on how cold or hurt you are, you are not able to effectively learn and participate. For a better experience, we recommend using another browser. Learn more Facebook Email or phone Password Forgotten account. Sign Up See more of CSIA AMSC on Facebook Log In or Create New Account See more of CSIA AMSC on Facebook Log In Forgotten account. Pour répondre à vos questions, nous organisons une série de séances Zoom destinées aux membres qui porteront sur les interrogations que vous pouvez avoir. Étant donné que les séances sont ouvertes à tous nos membres, l'inscription à l'avance est requise. Voici les détails Quand Mercredi le 2 septembre 2020 à 19 h, heure normale de l'Est Inscrivez-vous à l'avance à la rencontre en cliquant sur ce lien. Suite à votre inscription, vous recevrez un courriel de confirmation contenant les détails pour vous joindre à la rencontre. See more CSIA AMSC 1 September at 0954 REMINDER It is our mission to keep each of you as updated as possible. You undoubtedly may have questions. As a result, we are going to host a series of Membership Zoom sessions to address questions you may have. Since this is open to the entire Membership, registration in advance is required. <http://kimura-shihoshoshi.com/userfiles/hotpoint-shs33x-electric-oven-manual.xml>

• 1.0.

Goodman TECHNICAL MANUAL

**GMH8 33-3/8" 80% Gas Furnace
80% AFUE, 2-Stage (Convertible),
Multi-Speed, Upflow/Horizontal**

- Refer to Service Manual RS6612007 for troubleshooting information.
- All safety information must be followed as provided in the Service Manual.
- Refer to the appropriate Parts Catalog for part number information.
- Model numbers listed on page 3.



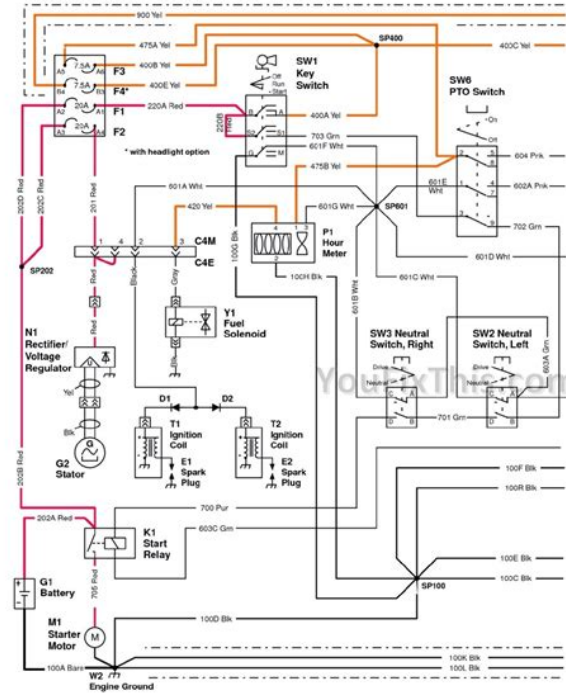
This manual is to be used by qualified, professionally trained HVAC technicians only. Goodman does not assume any responsibility for property damage or personal injury due to improper service procedures or services performed by an unqualified person.

RT6621024r4
November 2013

Copyright ©2011, 2013 Goodman Manufacturing Company, L.P.

When Tuesday September 1, 2020 0800 PM Eastern Standard Time. After registering, you will receive a confirmation email containing information about joining the meeting. Be in the know! Please take the time to read this important communication filled with relevant information and all the new things happening this year. Click below to have a look! Soyez au courant! Prenez le temps de lire cette importante communication qui regorge de renseignements pertinents et qui vous informe sur toutes les nouveautés de l'année. Pour tout savoir, cliquez ci-dessous. It also includes a pocket-size booklet specific to Teaching Children. Attending a Level 1234 training course, a Snow Park certification or the National Members Convention. You will receive a copy of the new manual. Printed copies will be available for sale through our online store around mid-October, but you can read it right now by clicking below. Please try later. The Level 1 Candidate can expect to be exposed to a variety of terrain, snow conditions and terrain features. It combines the basics of practical ski teaching methods, technical understanding and development of guest service skills, specifically addressing children's skiing. This 20-minute Interactive Module introduces concepts that will be used throughout the Level 1 Decision Making for Instructors, The Gliding Experience beginner progression, Technical Reference, and responsible teaching. Candidates are responsible for this information as part of the Course curriculum. Membership Benefits are available to you provided your membership fees are fully paid, making you an active Member. Please try later. This Program enables Ski Instructors to improve their situational teaching skills, to acquire a better understanding of CSIA technique and methodology, our Technical Reference, and the role of ski teaching within the ski industry, as well as introduce Instructor Training. <http://droneducational.com/admin/userfiles/hotpoint-self-cleaning-oven-manual.xml>

Main Electrical Schematic (S.N. -120000)

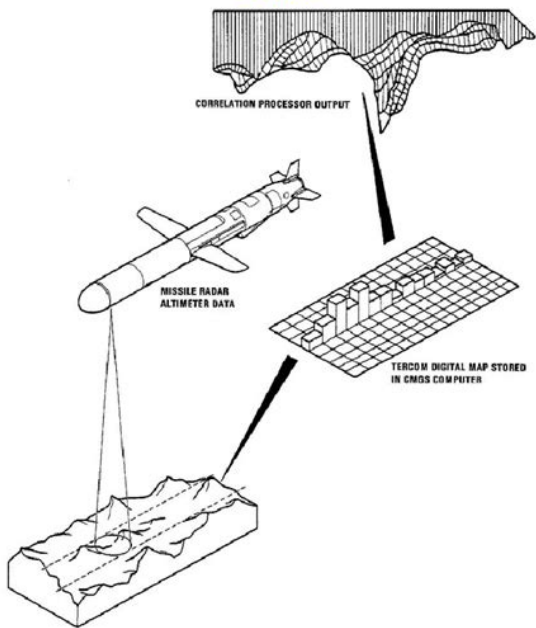


Main Schematic (1 of 2)

State of the Association Member Minute Videos Subscribe FIND AN INTEGRATOR Industrial Automation Exchange Case Studies Featured Interviews Industrial Automation Blog MEDIA Media Opportunities Media Information MY MEMBERSHIP My Account My Communities Resource Libraries On an ongoing basis, the manual is tested by a committee of CSIA members, auditors and clients as part of a continuous review and improvement process. With version 5.0, the CSIA Best Practices and Benchmarks manual has been updated to reflect new material, including a new chapter on cyber security. The entire manual was reviewed for organization, clarity and compliance with a more global relevance. Look for version 5.0 to be released in midApril. The industry standard for system integrators that are committed to delivering the highest level of quality, performance and reliability, the manual offers guidance on the following management topics. To get you started we have provided a direct link to resources for each chapter. Click on the headers to access. General Management Strategic Management, Organizational Structure, Facilities and Equipment, Computer Systems Management, Corporate Risk Management Human Resources Management Administration, Recruitment and Selection, Performance Management, Training and Development, Compensation and Benefits, Employee Communication Marketing, Business Development and Sales Management Marketing Plan, Sales Strategy Financial Management Measures of Performance, Financial Planning, Billing Procedures, Tax Policy Project Management Contract Management, Procurement Management, Planning, Risk Management, Resource Management, Communications Management, Scope Management, Schedule Management, Budget Management, Change Management, Quality Management, Closure The BP manual lays it all out. The CSIA Best Practices help fill that gap. Processes and procedures lead to increased efficiency and profits.

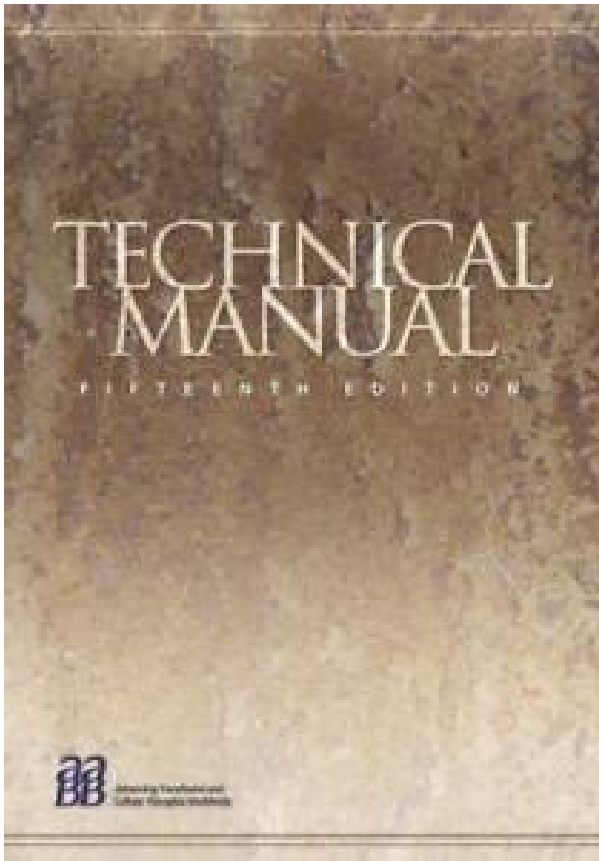
<http://ablerepairandrestoration.com/images/conexant-d850-manual.pdf>

Figure 1-17. Terrain Contour Matching (TERCOM) Process



Media Information Sponsor Opportunities Terms of Use and Privacy Policy Code of Conduct Bylaws. FAQs Steps to Certification NEWS Recent News Newsletter Archives LIVE. State of the Association Member Minute Videos Subscribe FIND AN INTEGRATOR Industrial Automation Exchange Case Studies Featured Interviews Industrial Automation Blog MEDIA Media Opportunities Media Information MY MEMBERSHIP My Account My Communities Resource Libraries By implementing CSIA's Best Practices and confirming their adoption via CSIA Certification, you will build a better company CSIA Certification is the capstone of implementing the Best Practices. When approaching Certification, everyone in your company should be involved in the process so that the Best Practices become part of your organizations "DNA." CSIA Certified companies are financially stronger than noncertified companies. One of our partners recently completed an analysis of the data suggesting a strong link between Certification and business performance. Additionally, some suppliers require CSIA Certification to be recognized in the top tier of their system integrator programs. Our white paper demonstrates this by linking business performance data to CSIA Certification. If you want to become a better company, begin by downloading the Best Practices Manual. Besides joining CSIA, it is the first step on the road to CSIA Certification. Media Information Sponsor Opportunities Terms of Use and Privacy Policy Code of Conduct Bylaws. These businesses no longer have enough qualified people on staff to do the job," says Jeff Miller, chair of CSIA's Best Practices Committee. "CSIA believes the need is critical enough to create an integrator best practice around it.

<http://www.gongoff.com/images/conexant-hda-d110-mdc-v.92-modem-manual.pdf>



" Many engineers are reaching retirement age and are not being replaced—often because engineers with specialized technical expertise cannot be found in a tight labor market—so companies are looking for CSIA integrators because fewer staff members have the skills to respond to hightech issues. "A plant engineer is often called on to troubleshoot mechanical and electrical issues in the plant, but they seldom write code for the overall plant control system and struggle at times to dig into it to determine the problem," maintains Miller. "Every day, CSIA members provide the marketplace with control system expertise. We stay on top of new technology and know how to use it." CSIA's "Best Practices and Benchmarks Manual" offers a defined process for delivering service and support that is different from integratorsupported projects. It guides CSIA members on how to best work with clients in this role. Synchronous manufactures such mechanical assemblies as highlift mechanisms and secondary flight controls, as well as structural components, including wing ribs, bulkheads, and track and beam assemblies. In addition, we can pull in house the fasteners, forgings, and castings that Synchronous currently purchases on the outside. We will also gain synergies from the proximity of Synchronous locations to many of our existing operations. Subject to regulatory approvals, the transaction is expected to be completed by the end of December, after which Synchronouss results will be reported as part of the Airframe Products segment. Advanced thermal analysis tools will be used to gain detailed insight into the brazing and sintering processes to optimize these methods. This research into advanced materials processing will lead to better manufacturing methods that will revolutionize how aircraft engine parts are made while reducing both costs and the industry environmental footprint, and benefitting Canadas economy.

One goal of the Chair is to further develop highly qualified personnel, which is key to keeping the industry healthy in Canada. Orbital designed, manufactured and tested MEXSAT Bicentenario before shipping the completed spacecraft to Kourou, French Guiana, where it is scheduled to be launched aboard an Ariane 5 rocket on Dec. 19. Under a contract with Boeing, Orbital completed the work on MEXSAT Bicentenario as part of a threesatellite order for the Federal Government of Mexico. As prime contractor for MEXSAT, Boeing is providing two larger satellites in the series that are scheduled for launch in 2013 and 2014. The second and third MEXSAT satellites will be Boeing

702HP geomobile satellites that will each supply 14kW of power and carry a 22m Lband reflector for mobile satellite services. Turkey has previously exported armored vehicles, air defense systems, missile systems, light warships, and helicopters, a trend that has seen its defense industry exports quadruple. Turkish Aerospace Industries is the prime contractor for the T129 attack helicopter, with Aselsan and AgustaWestland NV as the subcontractors, under a collaboration agreement in which TAI shares ownership of intellectual property rights for the new configuration with AgustaWestland NV. All Rights Reserved. This firm specializes in Labor Law, OSHA, and Construction Contract Law. It also brings news of the region, including labor and legal matters, items of general business interest, personnel changes within member companies, and information on new products and technologies available from member supplier firms. It also provides information in a condensed format and a great vehicle to get your message out fast to the rest of the membership! Attendees also have an opportunity for a great day of golf and lots of prizes. We also provide the Labor Management Manual which is an excellent reference manual for labor statistics and contract issues.

<https://bizwd.com/wp-content/plugins/formcraft/file-upload/server/content/files/1628863da9be4e---C amstat-fan-limit-control-manual.pdf>

At this business conference, directors and committee chairs are elected and official business is conducted. Guests are welcome at this conference featuring outstanding speakers and workshop presentations. This conference is also a great opportunity for a little relaxation and recreation which is made even more valuable by the added chance to build social relationships with your colleagues from the insulation industry. We have members on our staff who are well versed in labor relations, government affairs, construction industry issues, and interindustry relations. We'll help you get the resources you need to keep your business running smoothly. This website is not only designed to help the insulation customer find a CSIA Member in their area, it is also designed to help you the contractor stay informed about current issues that affect your business, as well as providing access to contractor services and product suppliers. Enjoy the convenience of online registration and dues renewal too. The purpose of this Scholarship Program is to help two college students per year in a field of study that is relevant to the Mechanical Insulation Industry. Click Here To help run their operations efficiently, more industry clients are turning to members of the Control System Integrators Association CSIA. These businesses no longer have enough qualified people on staff to do the job," said Jeff Miller, chair of CSIA's Best Practices Committee. "CSIA believes the need is critical enough to create an integrator best practice around it." CSIA updates the manual every few years to keep pace with the changing environment of control system integration. The manual provides integrators with industry proven best practices in areas of general management, human resources, marketing, financial management, project management, system development lifecycle, supporting activities and quality assurance.

Many engineers are reaching retirement age and are not being replaced—often because engineers with specialized technical expertise can't be found in a tight labor market—so companies are looking for CSIA integrators because fewer staff members have the skills to respond to hightech issues. Members must meet or exceed the 79 criteria in CSIA's " Best Practices and Benchmarks Manual " to become certified. An audit is required every three years to maintain CSIA Certification. Our members are effectively demonstrating to directors of manufacturing, plant operations and other industry leaders that CSIA Certification lowers project risk and increases the likelihood of getting real results." To learn more about CSIA, visit www.controls.org. Control system integrators use their engineering, technical and business skills to help manufacturers and others automate their industrial equipment and systems. CSIA members provide a range of services in dozens of industries. CSIA helps members improve their business skills, provides a forum to share industry expertise, and promotes the benefits of hiring a certified control system integrator. CSIA has more than 400 members in 27 countries. Click Here Jeff Miller, director of automation services at

Interstates Control Systems and chair of CSIA's Best Practices Committee, shares details on the latest release. Jeff Miller, director of automation services at Interstates Control Systems and chair of CSIA's Best Practices Committee, shared details on the latest release. How does the updated version of the manual help meet those needs They expect that the system integrator is a technical expert in the automated solution and that, if issues are seen in their design, the integrator will offer valueadd solutions.

They are also looking for the delivery process to go smoothly, with regular communications during the project to ensure that they know the status of the project and feel comfortable that the defined scope will be delivered on time and on budget. The manufacturer also needs longterm service and support of the control solution. Section 5 of the manual deals with project management, section 6 deals with the system development lifecycle, section 7 deals with project delivery supporting activities, section 8 deals with quality assurance, and section 9 deals with service and support. However, our main priority for version 4.0 was to clarify the sections that integrators struggled with most, according to the independent auditors who conduct the certification audits. For example, we added best practices for sales management to the section that covers marketing, business development, and sales management. Risk management best practices were changed, based on feedback from the CSIA insurance broker. We will continue to finetune best practices as CSIA's international membership grows. We modified and clarified several sections to make the best practices more instructive. The feedback from our certified members and auditors was that we did not need to "raise the bar" any further, as previous versions had. It was felt that the bar had been raised significantly when we released version 3.0 several years ago. When procurement sees the CSIA certified logo, it knows the integrator is committed to being successful, both in business and technology services. Many certified members say the process of preparing for an audit and becoming certified is of tremendous value in and of itself. Making time to examine business practices and determine ways to improve processes fosters an environment where everyone on the team is thinking about continuous improvement. We all want to make "better, best," and adopting CSIA's best practices is a proven method for doing that.

How did your committee go about finding ways to improve the manual This committee also reviews any feedback that has been received by the auditors from system integrators going through the certification audit process. We write a first draft and send it to clients and vendor partners, with a request to tell us if we're asking for the right information and if we're auditing for the right thing. We take in their feedback and introduce a pilot audit process based on the draft version. Comments from auditors and members who participated in the pilot are incorporated in the final revisions. The cooperative effort among clients, integrators, and vendors results in a better guidebook. One major goal of this revision was to make the document easier to understand and not raise the certification bar during this update. If we were successful we should see more companies becoming certified system integrators in their first audit. This does not mean that the audit is easier to pass, rather that the best practices are easier to understand and implement. We hope to release a Spanish version by late July to early August. We also are looking for translation services for Portuguese. The Portuguese version will likely not be completed until late 2012. No other translations are planned at this time. Others who are interested in learning more will find the certification and audit process summarized on the association's website, www.controls.org. To browse Academia.edu and the wider internet faster and more securely, please take a few seconds to upgrade your browser. You can download the paper by clicking the button above. Related Papers Bere2013 By Alberto Sugliano Forum of Sport, Physical Education, and Recreation for Those With Disabilities P Paralympic School Day A Disability Awareness and Education Program By Robert Leather Flexibility as a determinant of rollerskiing economy in crosscountry skiers By Karin Camenisch Navy SEALFitness Guide By Karalis Xtreme A.S.D.

A dynamic model of Nordic diagonal stride skiing, with a literature review of cross country skiing By Kjell Hausken READ PAPER Download pdf. This is accomplished by required readings from the CDET Manual. The course includes handouts like glossary and graphs, short videos on dryer performance and safety, and quizzes after each lesson. Course Summary 5 short videos 5 min or less each, two handouts, 5 20 question quizzes, and In each of the 5 lessons, students are directed to read assigned chapters, read and move through the accompanying Powerpoint, watch the short videos on the subject matter, and take the related quiz at the end. Get in touch, or create an account Register Now Contact Us Home Our Company Contact Us Privacy Policy Eula CookiePolicy 2019 SureFire.Academy. We are also one of the few two year colleges that offer this program. Ivy Tech Community College created the Center for Cyber Security to meet the demands for highquality cyber security education and training. Through our nationally recognized center, Ivy Tech students receive the education and training they need for jobs that secure our community, state and nation's computers, networks and critical infrastructure. Through our nationally recognized center, Ivy Tech students receive the education and training they need for jobs that secure our community, state and nation's computers, networks and critical infrastructure. The material covered in the program is designed for students with advanced computer knowledge or currently working in the computer industry. Cyber Security is a degree that can be applied to many facets of the student's life, from personal to work experiences. There is a growing need for stronger Cyber Security with the increasing media attention. Learn more in the Accreditation and Affiliates section below. There are also chances for internships and externships to increase student competency in Cyber Security in realworld situations.

Through Career Development, we are able to assist our students in finding a job. Example positions include Network Security Support Technician, Security Auditor, and Digital Forensics Analyst. Learn more. Talk to your transfer advocate for more information about transfer opportunities! Shortterm certificates are sequences of technical and professional courses that are industry focused and designed for workforce preparation. They provide access to targeted, shortterm training in a discipline, and completers may sit for specific certification exams. Courses in certificate programs also apply toward technical certificates and associate degree programs in the subject area. Shortterm certificates are sequences of technical and professional courses that are industry focused and designed for workforce preparation. They provide access to targeted, shortterm training in a discipline, and completers may sit for specific certification exams. Courses in certificate programs also apply toward technical certificates and associate degree programs in the subject area. Shortterm certificates are sequences of technical and professional courses that are industry focused and designed for workforce preparation. They provide access to targeted, shortterm training in a discipline, and completers may sit for specific certification exams. Courses in certificate programs also apply toward technical certificates and associate degree programs in the subject area. Shortterm certificates are sequences of technical and professional courses that are industry focused and designed for workforce preparation. They provide access to targeted, shortterm training in a discipline, and completers may sit for specific certification exams. Courses in certificate programs also apply toward technical certificates and associate degree programs in the subject area. They provide access to targeted, shortterm training in a discipline, and completers may sit for specific certification exams.

Courses in certificate programs also apply toward technical certificates and associate degree programs in the subject area. They provide access to targeted, shortterm training in a discipline, and completers may sit for specific certification exams. Courses in certificate programs also apply toward technical certificates and associate degree programs in the subject area. Many available jobs require advanced education beyond the high school diploma. Technical Certificate programs provide education in conceptual and technical skills for specific occupations. The program content is designed to develop competency in the comprehension of general and technical skills. Certificate

programs require mastery of basic reading, writing, mathematical and quantitative skills. Many available jobs require advanced education beyond the high school diploma. Technical Certificate programs provide education in conceptual and technical skills for specific occupations. The program content is designed to develop competency in the comprehension of general and technical skills. Certificate programs require mastery of basic reading, writing, mathematical and quantitative skills. Associate of Applied Science degree programs are twoyear programs that prepare students for careers, career changes and career advancement. Students who need to take longer to complete the degree because of job or family obligations can take the program over a longer period of time. AAS programs may also prepare students for transfer to fouryear institutions. These programs offer education in recognized technical areas and specialties with emphasis on analysis, synthesis and evaluation. The general education courses equip students with the problem solving, communications, scientific and mathematical skills to compete successfully in the job market. Associate of Applied Science degree programs are twoyear programs that prepare students for careers, career changes and career advancement.