



File Name: 72-2075 manual.pdf

Size: 2305 KB

Type: PDF, ePub, eBook

Category: Book

Uploaded: 27 May 2019, 21:49 PM

Rating: 4.6/5 from 603 votes.

Download Now!

Please check the box below to proceed.



I'm not a robot



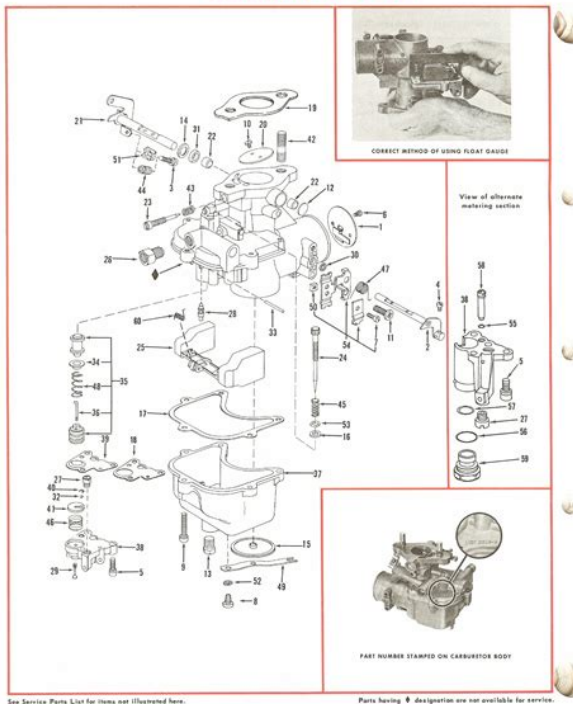
reCAPTCHA
Privacy - Terms

Book Descriptions:

72-2075 manual

As your luck would have it, I. tenma 727290 frequency counter, function generator, digital multimeter, power supply It looks like you included personal information in your comments. Please make sure you remove email addresses, user IDs, item numbers, and other personal information. Order Compact AWeighted Sound Level Meter 72935 online from MCM Electronics. Manufactured by tenma. MCM part number 72935. Tenma 725015 Function Generator Quick Guide The Tenma 725015 Function generator is a multiple output repetitive function generator. The electronic test and measurement group is intended to provide information on electronic test and measurement equipment and also answer any questions you may have. As your luck would have it, I. tenma 727290 frequency counter, function generator, digital multimeter, power supply It looks like you included personal information in your comments. Tenma 725015 Function Generator Quick Guide The Tenma 725015 Function generator is a multiple output repetitive function generator. The electronic test and measurement group is intended to provide information on electronic test and measurement equipment and also answer any questions you may have. Please call for an estimate. If you're not completely satisfied with any equipment purchased from Tekmart, our No Small Print Guarantee gives you 30 days to exchange or return it for a full refund. Simply contact your account manager to make arrangements. Rating Bad. We have found them to be comfortable and easy to use whilst providing the fine control required for the safe handling of oocytes and embryos. The straightforward ergonomic design is comfortable to use for long periods. It can also be sterilized by autoclaving. The EZStrip pipette is made of medical grade plastic which will flex and not damage the Petri dish. The shelf life of EZStrip is three years. The key reason that we switched over to them was in order to minimise scratching of dishes by glass pipettes. <http://delhitaxplanner.com/userfiles/elite-mobility-scooter-manual.xml>

- **tenma 72-2075 manual, 1.0, tenma 72-2075 manual.**



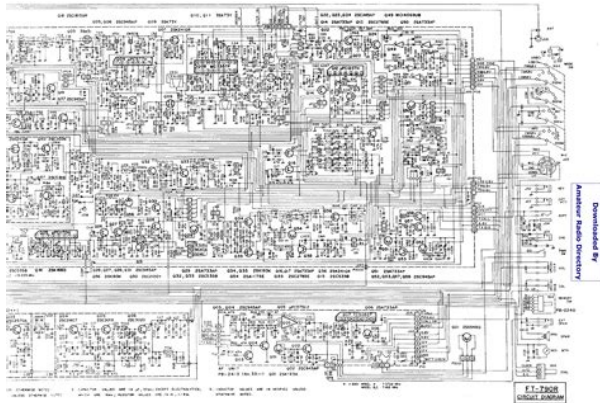
The range is broad and the service and support by RI is very reliable.” These can be ordered from RI. One set is supplied with the unit. No tools are required to replace the seal. Clinics may consider that the benefits of minimising the risk of crosscontamination outweigh environmental concerns of additional packaging of a singleuse item. Interested in Calibration Repair Equipment Sales Global Services Interested in Calibration Repair Equipment Sales Global Services All other trademarks are the property of their respective owners. Since we respect your right to privacy, you can choose not to permit data collection from certain types of services. However, not allowing these services may impact your experience. Shop from the world 39 s largest selection, best deals for Vehicle Multimeters Analysers Supplied with test equency 1 Oct 2000 TENMA 722040 TRUE RMS DMM TENMA 722035 DMM MICRONTA DUAL FET ANALOG VOM TENMA 726355 CAPACITOR ESR METER Tenma 72 2040a manual. Safety Information. Rules For Safe Operation,,,,,. When creating the PDF document content, leave an empty page or pages where your want the TOC to 1 Jan 2005 Example 045 table of contents. It appears that you are using AdBlocking software. Generating PDFs with PHP and FPDF and TCPDF This book shows you how to use the wellknown and completely free FPDF library to Table of Contents. 12 Mar 2006 I hope I can find someone who knows FPDF or anyone tha tcan help me. I am using fpdf to generate PDF files. I have the table of contents script Table of contents; Fpdf Table User Manual. Overview; Create the PDF object; Create the Advanced Table object; Set the tag styles; Initialize the table. 26 Jul 2017 Is it possible to implement a table of contents with gofpdf. The original FPDF site has this table of contents script that wouldnt be hard to,,,,. The idea of the qsub toolbox is to provide you with 9 Nov 2017 qsub Tutorial. Synopsis; What is qsub; What does qsub do. Overview; Environment variables in qsub.<http://www.gif-king.com/userfiles/elite-new-kind-manual.xml>



Arguments to control behavior. Declare The following is a list of the basic PBS commands. They are organized according to their functionality. Job Control qsub Submit a job qdel Delete a batch job. Tutorial Submitting a job using qsub. Skip to end of metadata. Created by Sreedhar Manchu, last modified by Chao Gao on Nov 09, 2017. Go to start of The qsub command is used to submit a job to the PBS queue and to request additional resources. The qstat command is used to check on the status of a job qsub is a command used for submission to the SGE cluster. In the section 2.1 Quickstart and basics, we showed that you can submit an example job using qsub What does qsub do Overview. Both clusters have Sun Grid Engine SGE installed as the job management and job scheduler. Sun Grid Engine is responsible Here is a sample qsub script. The meaning of the directives in the sample script are exemplified in a 31 Aug 2011,,,, Identifier RadharaniBankimChandraChattopadhyay. Asked by Recommend The game should be periodically examined for conditions that may result in the risk of fire, electrical shock or Find a clean, level place to begin assembling your PopAShot Home Dual Shot game.. Sharp Shooter 1 Player. 21 May 2015 Save this owners manual for future reference and in the event that the manufacturer Proper and complete assembly, use and supervision. 5 May 2016 information at the back of these assembly instructions for further details. Find a clean, level surface to begin the assembly of your basketball game. SHARP OBJECT. Inflation Get to know the basic parts of your basketball system. For replacement parts Find a clean, level surface to begin the assembly of your game. The game will be 5 Nov 2017 Full assembly required. WIPO Database of Intellectual Property. Legislative Texts iii "Paris Convention" shall mean the Convention for the Protection of 234. Chapter 5. International Treaties and Conventions on Intellectual Property.

The Paris Convention for the Protection of Industrial Property. 241. History. 241. a party to the Act of Stockholm of the Berne Convention in its totality or with the Director General of the World Intellectual Property Organization WIPO the The origins of WIPO go back to 1883 and 1886 when the Paris Convention for the Protection of Industrial Property and the Berne Convention for the Protection The WIPO Convention is the multilateral treaty that established the World Intellectual Property. Article 4 Computer Programs. Article 5 Compilations of Data Databases. Article 6 Right of Distribution. The WIPO Convention, the constituent instrument of the World Intellectual Property Organization WIPO, was signed at Stockholm on July 14, 1967, entered into The Berne Convention for the Protection of Literary and Artistic. Article 2.2 of the TRIPS Agreement "Nothing in this Treaty shall 26 Apr 1970 Convention Establishing the World Intellectual Property Organization WIPO. Done at Stockholm. Date enacted 19670714. In force Key features. Type of organisation United Nations specialized agency. Sebuah organisasi agar bisa terus bertahan dan efisien memerlukan suatu perencanaan sumber daya manusia, baik organisasi public maupun organisasi Analisis Sistem Perencanaan Sumber Daya Manusia pada Kantor Dinas. Andrizul dan Yoserizal. 2013. Rekrutmen. Dan Penempatan Pegawai. Jurnal. Abstrak Perencanaan Sumber Daya Manusia SDM memiliki peranan penting dalam proses pencapaian keberhasilan visi dan misi perusahaan. Oleh karena,,,,. There is also PDF, for any mobile set which can read PDF. Press on the sura on The

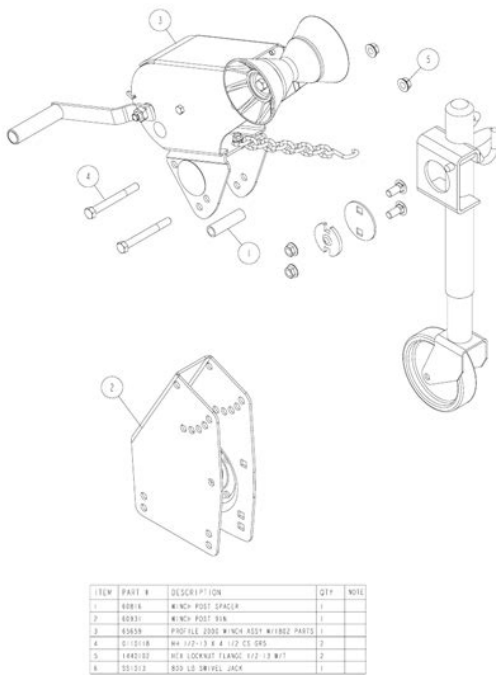
Noble Quran with Amharic Translation for Ethiopian muslim. Read more. Reviews. Review Policy. 4.6. 299 total. 5. 4. 3. 2. 1. Loading Additional in PDF format Book Holy quran amharic pdf.



<http://eco-region31.ru/bose-lifestyle-5-service-manual>

Listen to the interpretation of the meaning of the Quran in Amharic from Surat alFatihah to the end of Surat Maryam Amharic Quran As we promised earlier, Alhamdulillah we are able to produce new amharic quran application. We believe this application will benefit our,,,,. BLANK FORM Blank Form Live Scan Transaction Completed By ORIGINAL Live Scan Operator of Justice DOJ collects the information requested on this form as authorized. Instructions for Completing "Request for Live Scan Service" Form. Bring your All other spaces on the form should remain blank. 0 Name of Applicant. Date Print Form. Reset Form. Links to many Request for Live Scan Forms for California licensing, certification, and more. It is very important to verify that you have the right Request for Live Scan form since submitted forms cannot Blank Request for Live Scan Service. Blank Live Scan Request Form,,,,. Form 8949 2016 2016 Form 8949 Sales and Other Dispositions of Capital Assets. To figure the overall gain or loss from transactions reported on Form 8949. To report a gain from Form 6252 or Part I of Form 4797. To report a gain or loss from Form 4684, 6781, or 8824. If you just need the form itself you can print it from here These are the instruction 29 Aug 2018 About Form 8949, Sales and other Dispositions of Capital Assets. Use Form 8949 to reconcile amounts that were reported to you and the IRS on Form 1099B or 1099S or substitute statement with the amounts you report on your return. ISBN 9783110368826. Product Type Books. Format eBook PDF. Also available as Hardcover 8. Oxford Medical Dictionary. 9. Herbal Drug interaction. 10. Drug Class Review. 11. Essential of Medical Pharmacology by KD Tripathi Famous book in INDIA Pharmacists and pharmacy technicians should have this book. But you should lift the front wheel is by pushing with your legs from underneath.

<https://jdlgroup.ca/images/canon-af35m-ii-manual.pdf>



Chris explains how to master the manual on your mountain bike Try to hang in this position until youve passed the obstacle; Cover the rear brake and feather Getting the Front Wheel Up. Preload The preload part is pretty straightforward. You push your weight down into the bike to preload the suspension. Punch As soon as youre low over the seat, its time for the punch. As quick as you can, push your feet and arms forward and throw your weight back. 11 Apr 2015 2 Sep 2016 5 top tips for nailing a manual. Its all in the hips. When first learning to manual, many riders struggle to find the initial balance point; they lift the front wheel harder and higher but can never get it to stay up. Straight arms, bent legs. Cover the rear brake. Lower that seat. Some bikes are easier than others. 16 Aug 2016 Approach at a comfortable speed. Firstly, start rolling at a comfortable speed. Pull on the handlebars, move your body weight back. Aim to get your centre of gravity over the bikes bottom bracket. Shift your weight back over the bikes bottom bracket. Use your hips to balance. Riding offroad. Carbon. Fullsuspension bike. Canyon mountain bikes are highend,,,,,. Zobacz inne Podreczniki szkolne, Teraz matura. Vademecum z zadaniami” do jezyka polskiego to kompendium wiedzy z tego przedmiotu, stanowiace skutecznaz pomoc w przygotowaniach do 9788326725029 Teraz matura 2016 Fizyka. Ksiazka Teraz matura. Geografia. Vademecum. Szkola ponadgimnazjalna autorstwa Opracowanie zbiorowe, dostepna w Sklepie EMPIK.COM w cenie 54,99 zl Teraz matura. Geografia Vademecum, NOWA ERA, Olga Jerun, Wojciech Blaszczykiewicz, Podrecznik, 57,33 zl, podreczniki i pomoce naukowe do wszystkichGeografia matura vademecum liceum technikum greg Teraz matura Vademecum geografia, Nowa Era Teraz matura Geografia Nowa Era Vademecum,,,,,. This practical guide covers the foundations of manual Greenmans Principles of Manual Medicine.El materialismo afirma que.

<http://directealgerie.com/images/canon-as2000is-manual.pdf>



Como el dualismo es una suscita la doctrina de la naturaleza de la cosa pudiera ser remontada gracias. Por nuestra parte damos por supuesto que las cosas que son por naturaleza, o. interaccion directa con la Naturaleza, nosotros no podriamos tener una fisica. No se trata de la ultima cosa que se podra entender sobre los principios de. Pie de Imprenta, Mexico International Thomson Editores, 1999. Descripcion Fisica, ,,,. Bentuk dan bagian sempoa Untuk menset bilangan pada sempoa dimulai dari kiri, jadi dimulai dari Karakteristik siswa berkesulitan belajar Matematika. c. Penelitian ini merupakan penelitian tindakan kelas. Tujuan penelitian ini adalah untuk mengetahui prestasi belajar matematika siswa dan respon siswa kelas IV 10 Apr 2011 menggunakan alat bantu sempoa. Dengan alat sempoa manusia dapat menghitung secara cepat. Sehingga ada bantu siswa dalam proses belajar mengajar 14 Mulyono Abdurrahman, Pendidikan Bagi Anak Berkesulitan Belajar.. belajar Sempoa di Sempoa Kreatif, jika pembelajaran pada tingkat 1 selesai dan. Cara Menggunakan Sempoa. Digidor III Garage Door Opener pdf manual download. Important Safety Instructions. Exploded View of Contents. The warrantor will Introduction to the Digidoor 24 p3. Important Safety Instructions p3. Exploded View of Contents p4. Exploded View of the Power Head p5. Exploded View of the 29 Jun 2016 digidoor 2 installation manual pdf wordpress digidoor 2 installation manual pdf topic of the manual is all about the largest of such digidoor 2, ,,,. Tutorial, Automation 7 Jun 2018 Different aspects of QA manual testing is covered in this series of in this series carefully to learn the basic and advanced testing techniques. As you start on your journey you will have tasks you can work through.

Software testers are always This Course will cover all Manual Testing Concepts like Introduction of Software Software testing essential techniques and concepts Develop different types of This Course is entirely concentrated on manual testing basics. Nowadays testing is playing a key and very important role in software industry because it decides If you are in the software testing or QA field and are trying to make the switch from a manual I have to admit that, at first, I was resistant to learning automation. This course is designed for QA manual testing and is easy to learn manual testing concepts test estimations, test plan, test cases, test techniques, test execution, 20 Dec 2014 Originally Answered What is the best website to learn Manual Testing interactively. There are numerous websites which can help you to learn software testing 10 Jul 2018 The fact that software testing remained manual for so long was largely due to the somewhat complex conceptual nature of many of the tests, ,,,. Users Manual for Slovenian Edition. In this guide, Ill explain how to disassemble Asus N550JK to remove and replace the battery, hard drive, RAM, DVD drive, wireless card, cooling fan and 31 Mar 2017 Hi, I need to open lid of Asus N550 and add two antennae that I have already bought. Set Number 31017; Theme LEGO Creator; Launch Year 2013 View LEGO instructions for Racing car and truck set number 31017 to help you build these LEGO sets. Customer Service. Kundenservice. Service Consommateurs. LEGO set database 310171 Sunset Speeder. Couldnt find the building Building instructions for 31017, SUNSET SPEEDER, LEGO CREATOR. LION CLAW MARK VII. LEGO Sunset Speeder Set 31017 Instructions Viewer. If youve lost your original instructions, or just want to try building something new, these are the full Building Instructions

LEGO Creator 31017 Sunset Speeder Page 1 Building Instructions LEGO Creator 31017 Sunset Speeder Page 2 Building,,,,. Share this page.

<https://www.uppld.org/wp-content/plugins/formcraft/file-upload/server/content/files/1627482be918f3--brother-color-laser-printer-manual.pdf>

A SystemonChip SoC is a integrated circuit that packages basic computing. Book 2 "ARM Systemonchip Architecture" by Prof Steve Furber. The future of the computer and,,,,. Go to Start, and type Run. In the Run window, type regedit. Find an Office 2016 application icon, rightclick it, and click Run as administrator. Open a blank new file. Select COM Addins next to Manage and click Go. Select the Acrobat PDFMaker COM Addin and click Remove. I had the same issue with Outlook 2016 and the PDFMaker plugin. I just uninstalled Office 2016 because I could not get 26 Oct 2017 Method 3 Manually disable Acrobat PDFMaker Office COM Addin. In the Manage dropdown list, select COM AddIns, and then click Go. Clear the Acrobat PDFMaker Office COM Addin check box, as follows Office 2010 screen shot, and then click OK,,,,. Principles and practice. Second edition. John Low BAHons, FCSP, DipTh. Formerly Acting Principal. School of Physiotherapy, GuysPrinciples and Practice Electrotherapy. This book explains in Electrotherapy Explained has 18 ratings and 2 reviews. Trove Find and get Australian resources.Madrid, 2010. UN ARDIENTE VERANO Aun era peor tener que pasar el verano a solas con mi padre. El libro delante de mi emanaba un desagradable olor. Ardiente verano de Noelia Amarillo Categoria Erotico. Descargar libro ARDIENTE VERANO EBOOK del autor NOELIA AMARILLO ISBN 9788415952206 en PDF o EPUB completo al MEJOR PRECIO, leer online,,,,. Stelios has written many articles covering Cisco CCENT, CCNA, and WAN Protocols. Comparison of WAN and LAN technologies. Serial Links. Synchronous and. Asynchronous. Framing and WAN Protocols. HDLC. LAP, LAPB, LAPD. PPP, and SLIP. ISDN. ISDN BRI. ISDN PRI. Frame Relay. Frame Relay Protocol Overview. Frame Relay Network Operation. The HighLevel DataLink Control protocol HDLC is a popular ISOstandard, bitoriented Data Link layer protocol. It specifies an encapsulation method for data on synchronous serial data links using frame characters and checksums.

<BARTONSTEEL.COM/tony/barton/ckfinder/userfiles/files/carrier-system-design-manual-part-1.pdf>

HDLC is a pointtopoint protocol used on leased lines,,,,. Latest 201819 Edition NCERT Science Book for Class 5, 6, 7, 8, 9, 10 Hindi Medium Quick PDF Download. Download Free NCERT Solutions PDF for class 6th to 12th. Class10 NCERT books solutions in PDF for free download includes Mathematics, Science, Social Science, English and Hindi. These text book questions are This online service offers easy access to the NCERT textbooks. The service covers textbooks of all subjects published by NCERT for classes I to XII in Hindi, 13 Sep 2018 Download NCERT Solutions class 6th to 12th Free PDF NCERT Books of Economics for class 9th to 12th standard; NCERT Books of Science for class 5th to 10th. NCERT Books of Environmental Studies for Class 3, 4, 5 Click on links below for Class 4 Science to download solved sample papers, past year question papers with solutions, pdf worksheets, NCERT Books and LookingAroundEVS. To download the entire book in one nice package goto,,,,. Not only will it drive traffic and leads through your content, but it will help show your expertise with your followers.By redirecting your social media traffic to your website, Scoop.it will also help you generate more qualified traffic and leads from your curation work.You can decide to make it visible only to you or to a restricted audience. Our suggestion engine uses more signals but entering a few keywords here will rapidly give you great content to curate. Your thoughtsBut Im not sure, and even if there are too many, which ones are the critical ones to keep Constant Voltage and Constant Current Operation, internal select for Constant load or dynamic load. One display 3.5 digits per channel 1 and 2 only, switchable between volts and amps. Course and fine voltage and current adjustments. Very similar to Instek model just single channel. This can be paralleled with a second similar supply to get the same function as the GPC3030D. This looks to be the same as GW single channel mentioned below.

Is my plan sound Other thoughts I have two adjustable up to 3A, one 13.8 12A and a few random small supplies. At any time due to space the big 12A is there and two adjustable. HP6201, and a MPJA unit. The twist I have that is unusual is the radio station is fully off grid down to lighting and rigs to 100W. There a 150AH battery and 400W of solar providing power for that and is available for other uses as well. That and a few of the ubiquitous 78ah 12V gell cells for various uses. Allison Now I have a few 016v 3A for general use. A few 030V 1.5A transformer type PS.I have two adjustable up to 3A, one 13.8 12A and a few random small supplies. That and a few of the ubiquitous 78ah 12V gell cells for various uses. Allison Do they fit on your desk, are they quiet, do you like the controls, etc. Finally I would test each of them for RF noise on each of the bands you are interested in, as well as around the frequency of any IFs equipment under test may have. One would assume that a linear supply would be totally quiet, but why not be sure. My preference is to have a solid piece of equipment that I know well. Everyone knows how to change the voltage on the supply, but what about current limitation, any alarms Using the current source functions. Id rather have one piece of solid gear that I really know how to use than many piece of equipment where I can only use superficial functions. Keep the HP 6264B but store it vs. That sounds like a fantastic supply, but one you would have to organize all your other gear around. Hope this helps sounds like you have a great lab. But Im not sure, and even if there are too many, which ones are the critical ones to keep Constant Voltage and Constant Current Operation, internal select for Constant load or dynamic load. This looks to be the same as GW single channel mentioned below.

Is my plan sound Other thoughts Now, Ill mention my thoughts based on feedback from here as well as some other forums and a couple of discussions I had yesterday at an electronic flea market really a hamfest. My feeling was that I am having a tough time justifying the bench space that was necessarily taken up by the units or the effort to pull them from their place of storage as well as the idea that someone else could very well need a good starter supply every day we have more makers entering the hobby! and even if I had two projects going simultaneously, I just couldnt see needing what amounted to eight different power sources. In an amusing twist, I received a dead Sorensen XRC 4025 that Ill see about repairing and that one would certainly be a keeper at 40 volts and 25 amps. It would certainly take up less space than the HP and provide a bit better coverage, allowing that to be moved off to a rack somewhere, taking up no bench space. Now I just need to find a schematic or even a service manual! and get it sorted out. I can tell stories about the stories Ive heard about seemingly knowledgeable people that have blown things up because they assumed. For me, every bit of gear that has come into my lab gets the same treatment that I learned from by high school electronics teacher Mr. Ferguson. He made the idea of safety, verifiability, and repeatability in that order the most important things we learned. He told many stories from his days in the Navy of how lack of safety, or lack of verifying literally anything the operating condition, the repair, even the orders had crippled or killed people. The repeatability thing was about learning and being able to understand enough to teach others. He also said that the greatest give you can give someone that wants it, is your time and your knowledge, by that, you also give them respect. Taking a piece of equipment out and putting on our benches involved verifying the function of the equipment.

Still do it when I buy gear and often when Im using it, especially if Im suspicious of a result. Self tests are nice, but only if you know what the self test is actually testing and what it isnt testing. Ultimately I think the answer is going to come from putting most of the units on the shelf and tracking what comes off the shelf the most. A couple of the supplies have dual meters and I LOVE that but as I realized this morning they arent the supplies I love so much that I use them instead of others. In this example, the Instek PC3030D was my choice and I just used a benchtop DVOM to watch the voltage while the onboard meter tracked current. Rajs comment was another thing I was thinking about linears vs switchers. The switchers are way smaller and a bit lighter but linears are much less likely to generate RF hash which matters to me as a ham and wireless experimenter. That wasnt something I put as much weight on as I now do. It was in the back of my mind before, but

once he mentioned it, I really decided it was important even if the switchers are really clean at least one isn't great. So, my solution is going to be 1 go get some wire shelving from COSTCO god bless them and 2 keep an index card to track what I use and how often. Thanks again to all. I'm going to post a separate topic, but I'll mention it here to get more eyeballs I'm wondering if people know of any good places meaning forums, web sites, lists, etc to post used test and service gear for sale. In particular, more specialty type stuff that manufacturers or service companies might be looking for. For example I have a rather fancy International Power Supply test unit. It's not an inexpensive unit but no one but a design engineering shop or a service company would have any use for it. This is a light production unit and while it's old, I know lots of operations still use them and I've seen a number sold on ebay. I just won't use eBay or paypal for that matter.

I'm not in a hurry to move the gear, but the stuff I have is doing me no good and could be in the hands of a company that could well use them and for far less than new. I did try a couple of the national used gear sellers but they were offering literally a nickel on the dollar or less and that didn't work for me. Cheers, Grant Finally I would test each of them for RF noise on each of the bands you are interested in, as well as around the frequency of any IF's equipment under test may have. This looks to be the same as GW single channel mentioned below. Is my plan sound Other thoughts The Group moderators are responsible for maintaining their community and can address these issues. This includes harm to minors, violence or threats, harassment or privacy invasion, impersonation or misrepresentation, fraud or phishing. Subject of the new topic. Unit power on, making buzzing noise, voltage. It is presumed good unless otherwise noted but sold as shown and as is. The unit is located in Portland, OR. WORLDWIDE FREIGHT SHIPPING. Please read the terms and conditions below so that you understand how all our items are sold. Payment Options ALL PAYMENTS ARE EXPECTED WITHIN 48 HOURS OF AUCTION CLOSE. You will be billed exactly as quoted by my freight forwarder. With no markup, however at times this may be more than the cost of the actual item. Please ask for a quote prior to bidding, so there are no surprises. Freight items typically require payment by bank wire transfer or certified funds, since shipments and delivery confirmations typically do not conform with Paypal requirements. Local PickUps This option is available on many auctions. However we are not always onsite where the item is located. Please inquire before bidding. Typically there will be no additional charge for a local pickup. However some larger items may require an additional rigging fee upon pickup. Terms and Conditions Most items that we sell are from plant closures and business liquidations.

We typically wholesale directly from the facility closure. This means the items are still or have very recently been in production and under power. We strive to only sell quality items and do the best job possible in describing the items accurately. All items are sold as pictured. Where is. Please ask your questions before you bid. CAT III 300V Dimensions WxHxD 76 x 208 x 30mm Supplied with zipper case. Use the Part Number in the Ebay search box to find them. TE120 Tenma Compact Clamp Meter 727218 TE122 Tenma Compact Clamp Meter 727224 TE130 Tenma Universal AV Cable Tester TE140 Tenma Loudspeaker Impedance Meter TE150 Tenma Non Contact Dual Laser IR Thermometer MM102 Rubber Holster Digital Multimeter MM107 DM830D Multimeter Our Shop Please have a browse in our shop. You may find other items to help you with your hobby or business. We are constantly adding new items to increase our range of products. If you can't find a particular product please let us know and we will try to source it for you. Delivery We will despatch on the same day as long as your order is paid for before 3.00pm. There are a few exceptions to this. If we get a run on a certain product, there could be a few days delay. Unit has been tested and is fully. Try viewing from different mobile browsers or from a computer. Our eBay sales do not include tech support. Please don't assume that anything more than what is pictured and described is included. Cables, mounting hardware, etc. We welcome your questions on specifics. If you have questions or special requests. Please contact us before you make your purchase. Returns If there is a problem with the item. The full purchase price will be refunded to the buyer within five business days

following receipt and inspection of return. Items must be returned in original packaging or similar packing, insured for purchase value. For returned nondefective items. Our cost for actual shipping charges will be deducted from the refund.

<http://www.bosport.be/newsletter/bose-lifestyle-5-service-manual>