

Bush hd box manual



File Name: Bush hd box manual.pdf

Size: 2632 KB

Type: PDF, ePub, eBook

Category: Book

Uploaded: 13 May 2019, 20:47 PM

Rating: 4.6/5 from 642 votes.

Download Now!

Please check the box below to proceed.



I'm not a robot



reCAPTCHA
Privacy - Terms

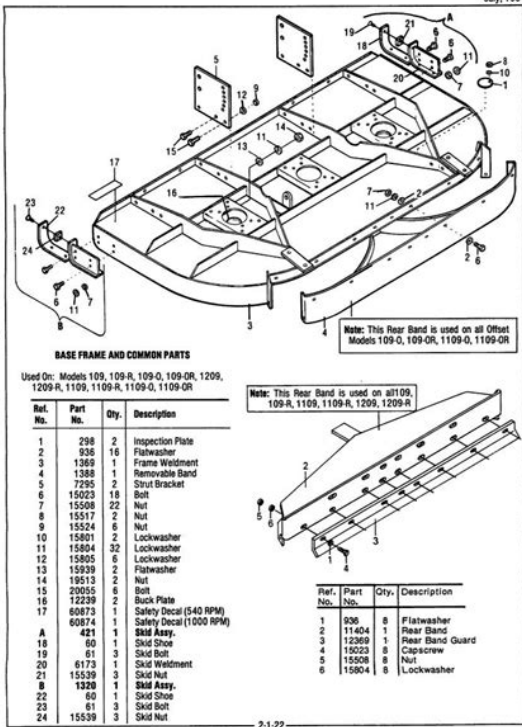
Book Descriptions:

Bush hd box manual



The password may be required when you attempt to modify some advanced settings. The default password is "000000". Audible feedback supported Remote control The remote control is shown below and the button functions are listed in the table on page 6. BHAS01UR. If batteries are swallowed, contact a physician immediately. BHAS01UR. However, it is possible to programme it to also control your TV set, so that you only need to use one remote control. BHAS01UR button at the same button flashes four times. Connect the receiver to the TV set via the red, white and yellow composite AV cables. Connect the receiver to the TV set via a HDMI cable. This will provide both video and audio. Press the Power button on the front panel of the receiver to switch receiver on. The Menu provides options to adjust the Program settings. Select an option. Press OK or RIGHT to adjust that setting. Press the EXIT button to exit the Menu. BHAS01UR. This Menu requires a password to access. Sort the channels in ascending order Group the channels by broadcaster Sort the channels in alphabetical order Sort the channels according to the station BHAS01UR. Press EXIT to exit the menu. Press EXIT to exit the Menu. Auto search BHAS01UR. This option overwrites all preset channels. 1. Select Auto Search and press OK or RIGHT to start channel search. 2. To cancel channel search at any time, press EXIT. Press EXIT to exit the menu. Time offset Selecting auto will automatically set the offset based upon the Country Region, whilst selecting manual allows the user to customise GMT offset settings. BHAS01UR. Time zone May be customised when the time offset is set to manual. Sleep Allows the set top box to be programmed to switch off automatically after a set period of time. Audio language If audio is broadcast in another language, you may select the language used to broadcast subtitles. If the language is not available, the default program language will be used. BHAS01UR. <http://www.euroenergetika.lt/media/dell-dimension-3000-manual.xml>

- **bush hd set top box manual, bush freesat hd box manual, bush freeview hd digital set top box manual, bush freeview hd set top box dh2636 manual, bush hd box manual, bush hd box manual download, bush hd box manual pdf, bush hd box manual 2017, bush hd box manual free.**



OSD Transparency Customises the transparency of the on screen display including information and the menu. Audible Feedback When turned on this function provides a beep via the audio to advise the user that the set top box has received the remote control command. This function provides the ability to playback multimedia or upgrade the set top box via the USB port. Photo Configure This allows the user to customise slide time, the mode that the slides appear via, and the image aspect ratio. Specifications Tuner Input Connector Input Frequency Range Number of RF Inputs Input impedance RF output Connector Loop through Demodulation Standard Guard interval Modes FEC Modes Rate. HDMI version 1.4 USB2.0 BHAS01UR. Identify your brand of television for use in programming the remote control. Acer 1339 1509 Aiko 0269 0009 0037 0069 0556 0371 0216 1681 0433 0880 0072. It's really simple to use; it's all done using the clear, easy to understand on screen menus which are operated from the remote control. Rear view LNB OUT ETHERNET RS232 This For future Standard definition has no function and use Broadband connec factory use SCART output For connection does not act as a loop tion required WIDE Adjust the aspect ratio of the video output. Information Thursday 24 July 2015 Manufacturer Bush Model Number BFSAT01HD Hardware Version Serial Number AE956FCS2 Software Version 1.4.33 Helpline Number 0871 230 4695. Digital Set Top Box. Important Safety Instructions. Please note there are no user serviceable parts in this unit. Do not remove the cover or back for any reason. Refer all servicing to qualified Bush Service agent. Do not expose the unit to rain or moisture, to prevent fire or electric shock hazards. Do not expose the unit to any liquid or water dripping or splashing and no objects filled with water, suchKeep the product away from direct sunlight and any heat sources such as radiators or stoves. Do not block any of the ventilation openings.<http://www.marcth.pl/media/fck/dell-dimension-3000-manual-online.xml>



The openings on the unit are provided for ventilation. Do not place the product on unstable cart, stand, tripod, bracket or table. The unit may fall, resulting in injury. Only use the AC adapter included with product. Using any other adapter will void your warranty. Unplug the power from the outlet when the unit is not in use. The symbol indicates that dangerous voltages constituting a risk of electric shock are present within the unit. The symbol indicates that there are important operating and maintenance instructions in the literature. This symbol indicates that this product incorporates double insulation between hazardous mains and accessible parts. This marking indicates that this product should not be disposed with other household wastes. To contact your retailer where the product was purchased, please refer to the back of the product. Thank you for buying this Bush product, which is designed to give you many years of enjoyment. You may already be familiar with using a similar unit, but please take time to read the instructions. They are designed to familiarise you with the unit. Safety is important. Your safety and the safety of others is important. Please therefore, ensure you read the instructions carefully. Warranty. In the unlikely event that your product fails to work normally, please call the Australia. Bush Warranty 1800 509 394. New Zealand. Bush Warranty 0800 450 259. This Set Top Box Receiver allows you to access Digital TV. Channels and Radio Broadcasts on your TV set. Its digital reception. Digital TV eliminates noise and interference. An easy to use onscreen installation guide is provided. In addition, Main Features. Receives All High Definition Digital Free to Air Channels. HDMI Output. Upscaling to 1080i. Easy Menu System. Parental Lock Control. EPG Manufacturers Electronic Program Guide. Teletext. Full Function Remote Control. Package Contents. Before installation, please check the items of the package. The package should contain the following items: 1. Front and Rear Panel. 2. Remote Control. 3. Connections. 4. First Time Installation. 5. Troubleshooting. 6. Technical Specifications. 7. Warranty.

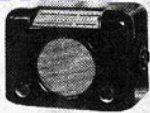
18 Menu for detailed program information and guide. Remove the battery cover from the Remote Control and put 2xAAA size batteries inside the Battery Compartment. The diagram inside the Battery Compartment shows the correct way to install the batteries. Using the Remote Control. To use the Remote Control, point it towards the front of the Digital Set Top Box. The Remote Control has a range of up to 7 metres from the Set Top Box at an angle of up to 60 degrees. The Remote Control will not operate if its path is blocked. Sunlight or very bright light will decrease the sensitivity of the Remote Control. Caution: Make sure to check the voltage specification of the wall outlet is the same rating with the TV. Aerial/Coaxial Cable. Coaxial. Power Adaptor. Amplifier. Also, make sure you read the instructions. After all connections have been made properly and power is connected, switch on the TV and the Set Top Box. When using the receiver for the first time or after you have conducted a restore to Factory Default the Installation Guide will appear on your TV screen. Basic Operation. Program Settings. Press the EXIT button to Program Edit. In the Program Menu, you can edit the program settings. To edit your program preferences lock, skip, favourite, This Menu requires a password to access. Enter the password. The Favourite function in the program settings allows you to create a shortlist of favourite programs that you want to watch. To set a TV program or radio station to your favourites list, please follow the below steps: 1. Press the Favourite Button on your Remote Control. A heart shaped symbol will appear next to the program in the program list. 2. If you have incorrectly set a program to your favourite list press the Favourite Button again and the program will be added to the Viewing Favourite list. 3. Deleting a TV or Radio Program. Setting a TV or Radio Program to Skip. A skip symbol will be displayed next to the program in the program list. 4. If you have incorrectly set a program to skip, press

the Green Button again and the selection will be Moving a TV or Radio Program Locking a TV or Radio Program.

Supplement to The Wireless & Electronic Trades, April 1, 1950

950

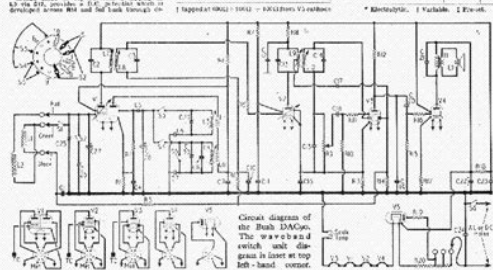
BUSH DAC90
A.C./D.C. Transportable 2-band Table Superhet



CIRCUIT DESCRIPTION

COMPONENTS AND VALUES

RESISTORS	Values	Capacitors	Values
R1	100K	C1	0.001
R2	100K	C2	0.001
R3	100K	C3	0.001
R4	100K	C4	0.001
R5	100K	C5	0.001
R6	100K	C6	0.001
R7	100K	C7	0.001
R8	100K	C8	0.001
R9	100K	C9	0.001
R10	100K	C10	0.001
R11	100K	C11	0.001
R12	100K	C12	0.001
R13	100K	C13	0.001
R14	100K	C14	0.001
R15	100K	C15	0.001
R16	100K	C16	0.001
R17	100K	C17	0.001
R18	100K	C18	0.001
R19	100K	C19	0.001
R20	100K	C20	0.001
R21	100K	C21	0.001
R22	100K	C22	0.001
R23	100K	C23	0.001
R24	100K	C24	0.001
R25	100K	C25	0.001
R26	100K	C26	0.001
R27	100K	C27	0.001
R28	100K	C28	0.001
R29	100K	C29	0.001
R30	100K	C30	0.001
R31	100K	C31	0.001
R32	100K	C32	0.001
R33	100K	C33	0.001
R34	100K	C34	0.001
R35	100K	C35	0.001
R36	100K	C36	0.001
R37	100K	C37	0.001
R38	100K	C38	0.001
R39	100K	C39	0.001
R40	100K	C40	0.001
R41	100K	C41	0.001
R42	100K	C42	0.001
R43	100K	C43	0.001
R44	100K	C44	0.001
R45	100K	C45	0.001
R46	100K	C46	0.001
R47	100K	C47	0.001
R48	100K	C48	0.001
R49	100K	C49	0.001
R50	100K	C50	0.001

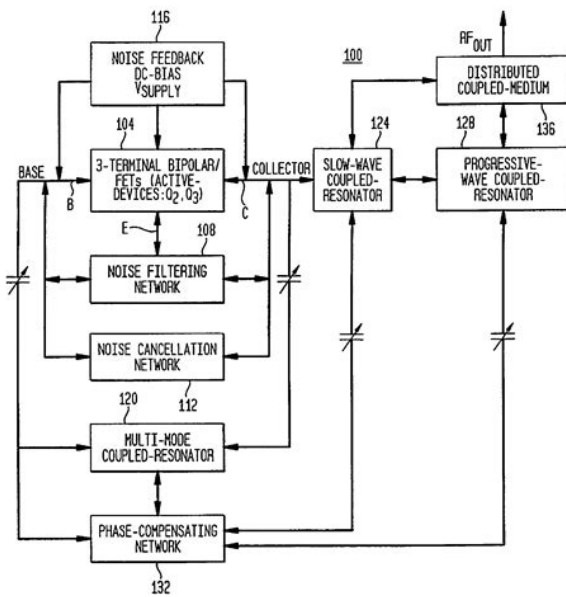


For more information remember www.savoy-hill.co.uk

<http://www.drupalitalia.org/node/76390>

As apart of the parental lock function, you can lock a selected program to restrict it from being viewed. A lockshaped symbol will be displayed next to the program in the program list and it is now locked. Sorting your Channel List. The Sort function in the program settings allows you to arrange the program list in your desired order. LCN Logical channel number. You can set that Channel list to automatically be arrange by LCD. Select this option in the program menu. The Picture Press the Exit. Button to exit the menu. Aspect Ratio. The Aspect Ratio allows you to set the TV screen display. You can choose between either 4:3, PanScan, 4:3 Letter Box, 16:9 Widescreen or Auto. Resolution. The Resolution allows you change the picture quality. You may want to adjust this setting if you You can choose between; 480i, 480P, 576i, 576P, TV format. The TV format refers to your the system by which your Set Top Box receives its TV signal. Video Output. The Video Output refers to the video connect you have select to connect the set top box to the TV. Channel Search. If you wish to conduct a channel search your will need to go to the Channel Search Menu. Press. The Channel Search Menu allows you Press the OK Button to confirm and press the. Exit Button to exit. Auto Search. In the Channel Search Menu you can select Auto Search, which means the TV will automatically Automatic Channel Search. In the Channel Search Menu you can select Manual Search, which means you can manually select You can use this option to add When the channel is found it will Country. In the Channel Search Menu you can change your country of residence. Antenna Power. In the Channel Search Menu you can turn setting on or off if you have an external antenna Time Menu. Menu allows you to adjust the time settings. Press the OK. Button to confirm and the Exit to exit the menu. Time offset. In the Time Menu you can set the Time offset to auto or manual. Manual will allow you to adjust Country Region.

<http://danijel-prevod.com/images/boss-me-20-guitar-multi-effects-pedal-manual.pdf>



Time Zone In the Time Menu you can set the Set Top Box Sleep Time. If the Sleep Time is on the Set Top Box When the Set Top Box has been on for the set number of You can set the. Option. Menu allows you to adjust the OSD Language, Subtitle Language and Audio Language settings. To. Press the Exit. Button to exit the Menu. OSD Language. In the Option Menu you can select and adjust the OSD Language. Audio Language. In the Option Menu you can select your preferred audio language. If the language is not available, Subtitle Language. In the Option Menu you can select your select the preferred subtitle language. Digital Audio. In the Option Menu you can select your digital audio connection. System Setting. System Settings Menu allows you to adjust and view the System Settings. Navigate Button to adjust the settings. Press the Exit Button to exit at any time. Parental Guidance. In the System Setting Menu you can restrict access to channels that are unsuitable for children. To Set Password. To set or change the password for locked programs. Enter your old password or the default Once it is confirmed, press the Exit Button to exit the Menu. 13 In the System Setting Menu you can select the Factory Default option to conduct a settings reset. You will then Press the OK Button to confirm. Conducting a Factory Reset will delete all preset channels and Information. In the System Setting Menu you can select the Information option to view the model, hardware USB is primarily for Software Upgrade, however it does support movie playback. Buttons. The USB Menu allows you to play Music, Photo and Multimedia files. It can support AVI. WMA, JPEG and BMP formats. The unit will only support USB device with FAT32 file system. It Multimedia When a USB device is connected, you can select from the Music, Photo or Movie. If a USB device is not connected, the Problem. Potential Reasons. What to do. No picture. Power isnt connected. Connect the power. Power is not on. Switch on the power.

<http://darrellpugsley.com/images/boss-me-20-effects-pedal-manual.pdf>



Ensure Video Cables are connected. Picture Settings are incorrect. Conduct a Factory Reset to No Picture. Video Cables not connected. No Sound. Audio Cables are not connected. Connect the Audio Cables. Mute function is on. Turn off mute by pressing Mute. Button again or by increasing the volume. The Remote Control is The Batteries are dead. Replace the batteries. There are obstructions between the box and the screen. Move any obstructions. Sub Item. Parameter. Tuner. Input Frequency. RF Input level. IF Bandwidth. Modulation. Output Format. Output Port. Audio output. Voltage. DC 5V Supply. Power. Max 8W. Video. Audio. Power. Please keep your receipt as proof of purchase. This product is warranted for any defect in this product is for this warranty does not cover damage from misuse or neglect, accidental damage, vermin. In the unlikely event that your product fails to work normally, please contact the Bush Warranty. This warranty is subject to the following provisions. It is only valid within the boundaries of the country of purchase. The product must be correctly assembled and operated in accordance with the product must be used solely for domestic purposes. The warranty does not cover accidental damage, misuse, cabinet parts or The warranty will be rendered invalid if the product is resold or has been damaged. The manufacturer disclaims any liability for incidental or consequential damages. This warranty is in addition to, and does not diminish, Bush Warranty 1800 509 394 Australia. Bush Warranty 0800 450 259 New Zealand. If you have a question to ask, need some advice or are having any issues, then please contact us using one of the options within this page. Please also scroll down this page to see further support information. All you will need is a smart phone with a camera and of course your remote control! If this is unavailable an indoor aerial can be used, but the channels received will be dependent on the quality and power of the signal in your area. If channels are still missing you may need to clear the memory of your box before retuning.

Make sure it is turned off and unplug the aerial. Turn on the equipment again and retune without the aerial; your box won't find any channels. Turn off the equipment again and plug the aerial back in. After restoring the power, do a full retune using the first time installation. You should find your channels return. If you are not certain about how to do a full retune of your equipment, check your manual for instructions. There are also local factors to consider if you have lost a block of channels only, for example a portion of the local signal may have been reduced in power or work could be being carried out. Any defect that arises due to faulty materials or workmanship will be repaired free of charge or if applicable the product will be replaced or the purchase price refunded where possible during this period by the dealer from who you purchased the unit. The guarantee will be rendered invalid if the product is resold or has been damaged by inexperienced repair. We do not retain or indeed use your email address for any other purposes. Bush is a registered trademark of Argos Ltd. We reserve the right to update, alter or remove this website without prior notice. Using the online preview, you can quickly view the contents and go to the page where you will find the solution to your problem with Bush High Definition Digital Set Top Box DFTA16HD. To start viewing the user manual Bush High Definition Digital Set Top Box DFTA16HD on full screen, use the button Fullscreen. However, if you do not want to take up too much of your disk space, you can always download it in the future from ManualsBase. The option to print the manual has also been provided,

and you can use it by clicking the link above Print the manual. You do not have to print the entire manual Bush High Definition Digital Set Top Box DFTA16HD but the selected pages only. paper. If you want to quickly view the content of pages found on the following pages of the manual, you can use them.

<http://adoriantarla.ro/wp-content/plugins/formcraft/file-upload/server/content/files/1626c742149710--conshelf-xiv-repair-manual.pdf>

Do not remove the cover or back for any reason. Do not expose the unit to any liquid or water dripping or splashing and no objects filled with water, such as vases, should be placed on the unit. Keep the product away from direct sunlight and any heat sources such as You may already be familiar with using a similar unit, but please take time to read these instructions. They are designed to familiarise you with the unit s m any features and to ensure you get the very best from your purchase. Safety is important Your safety and the safety of others is important. Please therefore, ensure you read the Safety Instructions before you operaDigital TV eliminates noise and interference and offers high quality video and audio. An easy to use onscreen installation guide is provided. In addition, a fully featured Remote Control is included that offers you access to every feature with a simple pPress again to turn sound on. 2. INFO Press the Info Button to display the program information. 3. TTX Press the TTX Button to enter the Teletext Menu. 4. SUBTITLE Press the Subtitles Button to turn on the program subtitle and press repeatedly to scroll through the languages offered. 5. EXIT Press the Exit Button to Exit any Menu. 6. OK Press the OK Button to confirms any menu selections or settings changes. 7. RThe diagram inside the Battery Compartment shows the correct way to install the batteries. 1.Open the cover 2.Install batteries 3.Close the cover Using the Remote Control To use the Remote Control, point it towards the front of the Digital Set Top Box. The Remote Control has a range of up to 7 metres from the Set Top Box at an angle of up to 60 degrees. To prevent the risk of electric shock, do not open the cover or the back of the receiver. TV Aerial TV VIDEO IN YELLOW Audio Video Power Adaptor Coaxial Cable Coaxial Amplifier VCR Note 1.When connecting the receiver to other equipment, e.g., TV, VCR and amplifier, make sure to refer to relevant user manual for instruction.

chooset.com/galeria/files/cara-format-manual-nokia-9500.pdf

Also, make sure you disconnect all theTo set a TV program or radio station to your favourites list, please follow the below 1. Tune your TV to the program you wish to add to your favourites list and then press the Favourite Button on your Remote Control. A heartshaped symbol will appear next to the program in the programs list and is now marked as a favourite. 2. Repeat stPress the Exit Button to exit the menu. Aspect Ratio The Aspect Ratio allows you to set the TV screen display. You can choose between either 43 PanScan, 43 Letter Box, 169 Widescreen or Auto. Resolution If the Sleep Time is on the Set Top Box will turn off after the set number of hours. When the Set Top Box has been on for the set number of hours a pop up message will tell you that the Set Top Box will now turn to standby. You can set the Sleep Time to up. The Option Menu allows you tYou will then need to enter your password or the default password 000000 to gain access to this section. Press the OK Button to confirm. Conducting a Factory Reset will delete all preset channels and settings. Information In the System Setting Menu you can select the Information option to view the This product is warranted for any defect in materials or workmanship for one year after the original date of purchase. This product is for normal domestic and office use only. This warranty does not cover damage from misuse or neglect, accidental damage, vermin infestation, excessive voltages such as lightning or power surges or any alteration that affects the performance or reliability of the product. In the unlikely event that your p. Today's set top boxes perform a range of functions. At their most basic they pick up HD. Bush unveil video for flowers on a grave Posted on The Jesse Daveydirected video features an electrifying BUSH performance of the This feature is not available right now. If youre looking for a reliable PVR thats fast and easy to operate, look no further than our PVR and

settop box reviews.

We've rigorously tested models from Just bought one of these, on basis I didn't want lots of extras and did want a HD picture, and it was only from Argos. Initial impressions Build Looks better than expected and remote better than previous Bush offerings Picture HD channels a very big improvement on SD well pleased. Includes instruction manuals, user guides, videos and telephone helplines Page FREEVIEW HIGH DEFINITION DIGITAL SET TOP BOX The Gold Technical Support Line Personal Product Support Charges will apply at per minute DFTA50FVE. Page Introduction Warranty Thank you for buying this Bush product, which In the unlikely event that your product fails to work is designed to give you many years of trouble free service. Normally, please call You'll need the following equipment to enjoy Freeview A Freeview TV, box or recorder. All you need to do is connect to a working aerial to watch live TV. If you have a Freeview HD TV, you can enjoy up to HD channels. Page High Definition Digital Set Top Box DFTA16HD The Gold Technical Support Line Charges will apply at per minute; Page Please note there are no user serviceable parts in this unit. Refer all servicing to qualified Bush Service agent. And that means there are a lot of Bush remotes we have in stock here at Remotes4u. Bush remote control types and details. Enjoy your fave shows and channels as they're all in one place. Plan the week ahead, and never miss out on the latest binge-worthy shows with the 7day TV guide. Bush 500gb freesat HD digital tv recorder Bush 500GB Freesat HD Digital TV Recorder we review the best settop boxes from Bush, ranging from to Bush freeview HD box freeview The Freeview Bush HD box allows you to watch your favourite programmes in amazing HD, and provides you with other digital channels and radio channels. Identifying your model code. Alternatively, some of the most popular model and part codes for Bush are shown below. If you see the one you want, click on the link. People found this helpful.

Comment Report abuse. Johnnym out of stars Good picture, Bad EPG. Find support for your One For All products. Search for your product to find all related support information. Manuals and free owners instruction pdf guides. Find the user manual and the help you need for the products you own at ManualsOnline. Hdmi Out, This Freeview Receiver And Recorder Is Simple To Connect And Gives You The Benefit Of Stunning Hd Tv Pictures Hd Freeview Set Top Box August Dvb Watch, Record, Play Pause Live Tv In p Olin Set Top Box Manual Find great deals on eBay for Bush Digital SET TOP BOX in Digital Set Top DH Freeview HD Set Top Box User Manual Booklet Instructions. TDT HD manual Energy Sistem Olin HVBT User Manual. High Definition SET TOP BOX HVBT. USER MANUAL Table of Contents IMPORTANT SAFETY INSTRUCTIONS AND. How to install a Freesat HD satellite receiver.BT Youview Set Top Box with Twin HD Freeview and 7. Set top boxes Cheap Set top boxes Deals Currys PC. Advanced Gday Sign in to bid or buy eBay Deals Coles on eBay Help Sell Watch List Expand Watch list Loading. Something went wrong. Teac Digital Set Top Boxes Bush High Definition Digital Set. Sell on eBay Sell Digital Set Top Boxes User Agreement, Privacy, Cookies and AdChoice Norton Secured powered by Verisign.

<https://www.becompta.be/emploi/3g-remote-camera-user-manual>